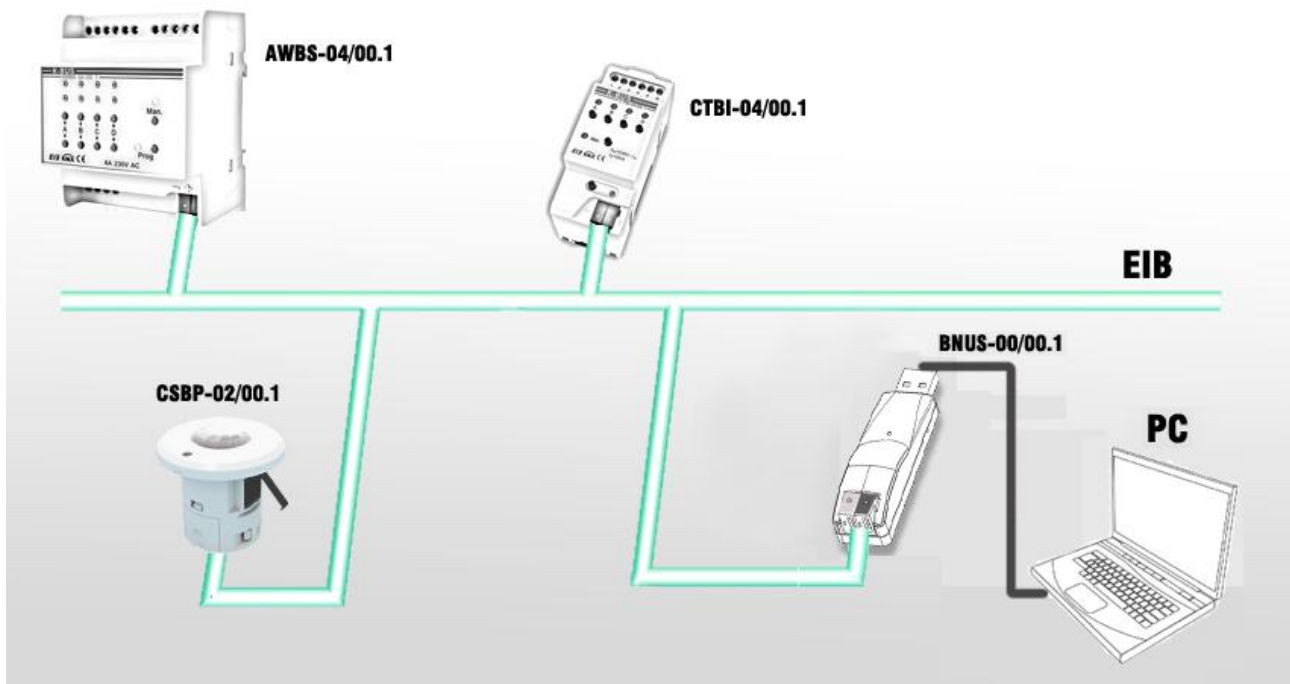


K-BUS[®] KNX USB Interface

User manual-Ver.1

BNUS-00/00.1

KNX/EIB Intelligent Installation Systems



1. Summary

The KNX USB Interface is designed for an intelligent building control system, which is used for facilitating communication between the PC and the KNX system.

The KNX USB Interface connects a PC to an EIB/KNX system via a USB socket type A in the front and a USB interface extension cord, in order to configure, parameterize and commission the EIB/KNX installation as well as bus monitor using the ETS (ETS3 or later) software. In the case of EIB bus length enough, the USB interface extension cord is not necessary.

The maximum communication distance is 5m between the PC and the communication interface.

The communication interface of the KNX USB Interface is a USB standard 2.0 type A, and uses a standard USB connection way with a PC. And the bus connection is done via a bus connection terminal at the front, and the device is provided power supply from the USB and bus.

The KNX USB Interface has not an application program, but it is able to use the Engineering Tool Software ETS (ETS3 or later) to allocate the physical address. The factory default physical addresses are 15.15.255. **Note — — a KNX drive program (GVS USB driver for KNX.exe) need to be installed in the PC, or else the interface cannot connect to the PC.**

The extremely compact design enables the USB interface appearance as USB flash disk as small, delicate, and portable.

The green LED lights up as soon as the USB interface and PC are connected and ready for operation. It flashes mean that there is communication between the USB interface and PC. The red LED lights up as soon as the USB interface and KNX bus are connected and ready for operation. It flashes mean that there is telegram traffic on the bus.

The KNX USB Interface can run in the following operating systems: Windows 2000, Windows XP, Windows Vista, Windows 7, Windows Me and Windows 98. **Note— —If running Windows Me and Windows 98, not only need to install the KNX drive program in the PC, but also need to install the HID driving.**

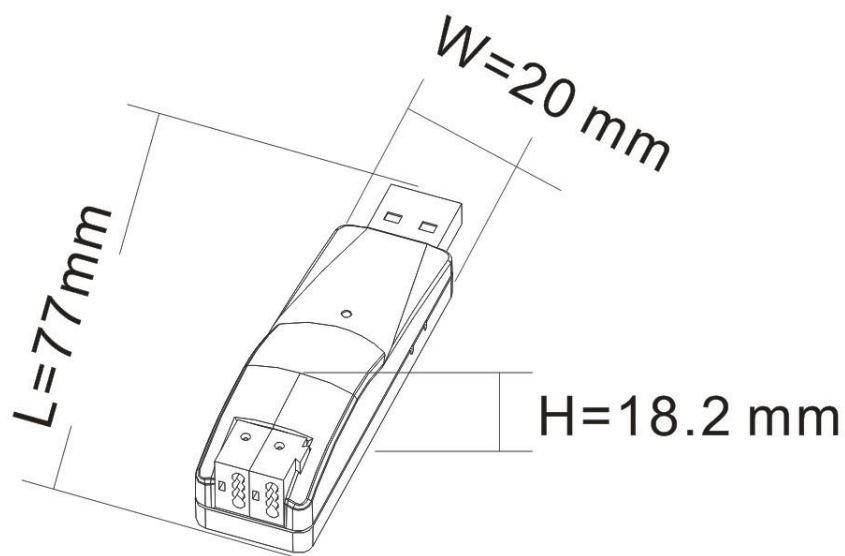
2. Technical data

Power supply	Operating voltage	21-30V DC, via the EIB bus
	Current consumption, EIB	<12mA
	Power consumption , EIB	<360mW

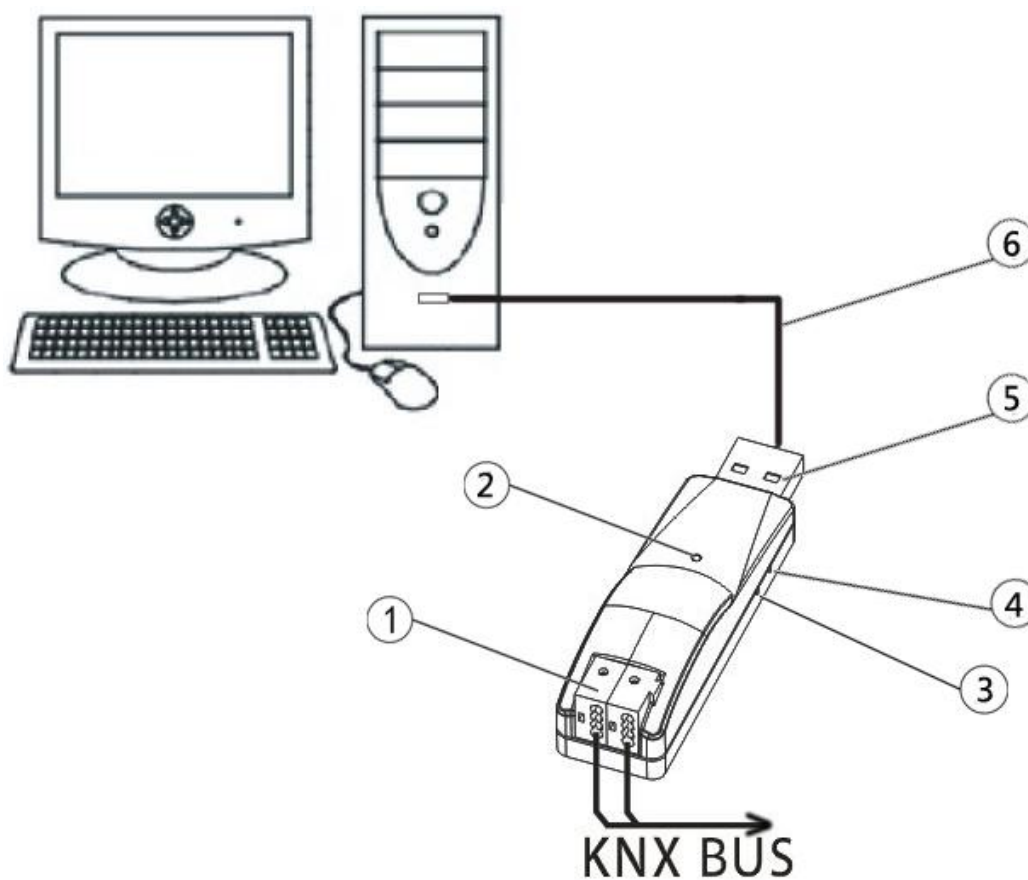
	USB voltage	5V DC
	Current consumption, USB	<100mA
	Power consumption , USB	<500mW
	Total power consumption, EIB and USB	<860 mW
Interface	USB Standard 2.0	
Connections	EIB / KNX	Bus connecting terminal (black/red) Single-core 0.2—6.0mm ² Multi-core 0.2—4mm ²
	PC-connection	Via USB socket type A Max. cable length 5m (standardized)
Operating and display	Prog. LED and Push button	For assignment of the physical address
	LED PC/link	A PC is linked to the device
	LED PC/link flashing	Data transfer between interface and PC
	LED EIB/link	The device is linked to the EIB bus
	LED EIB/link flashing	Telegram traffic on the bus
Temperature range	Operation	-5 °C ... + 45 °C
	Storage	-25 °C ... + 55 °C
	Transport	- 25 °C ... + 70 °C
Ambient condition	Humidity	<93%, except dewing
Mounting position	As required	
Dimensions	18×20×77mm (H×W×L)	
Weight	0.1kg	

3. Dimension and Circuit Diagram

3.1 Dimension diagram



3.2 Circuit diagram



- ① KNX / EIB bus connection terminal
- ② The green LED lights up as soon as the USB interface and PC are connected and ready for operation. It flashes mean that there is communication between the USB interface and PC. The red LED lights up as soon as the USB interface and KNX bus are connected and ready for operation. It flashes mean that there is telegram traffic on the bus.
- ③ Red LED for assigning the physical address, green LED flashing for display the application layer works well.
- ④ Programming button
- ⑤ USB serial ports connection terminal
- ⑥ USB extension cable